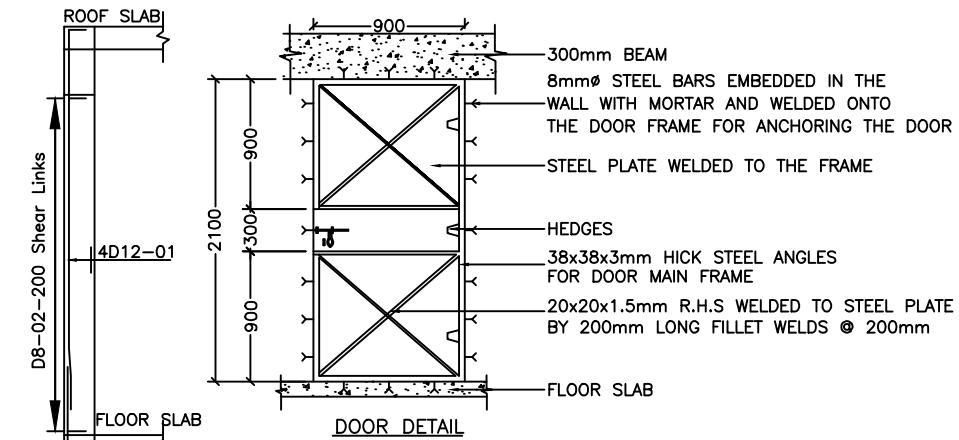
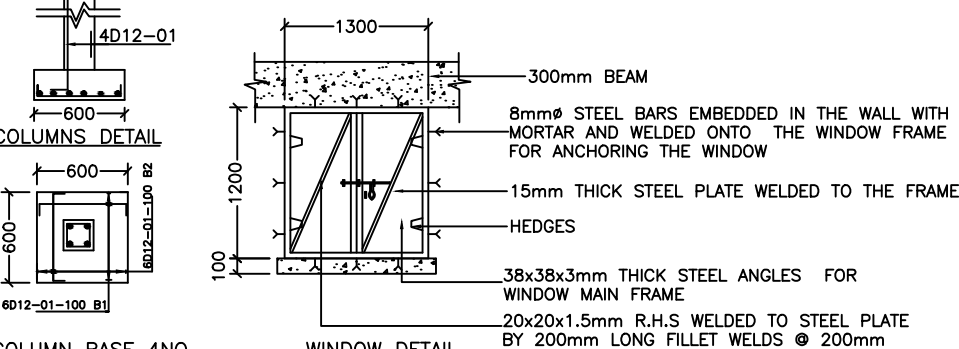


SIDE VIEW

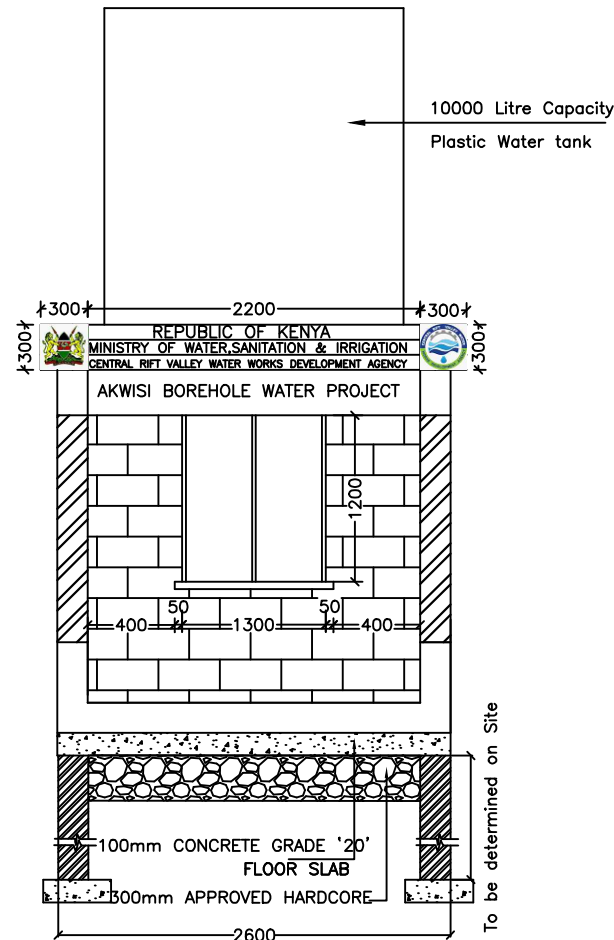


DOOR DETAIL

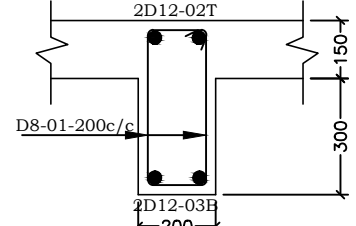


WINDOW DETAIL
SCALE 1:25

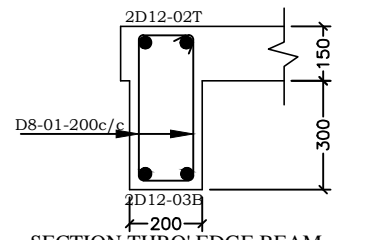
COLUMN BASE 4N0



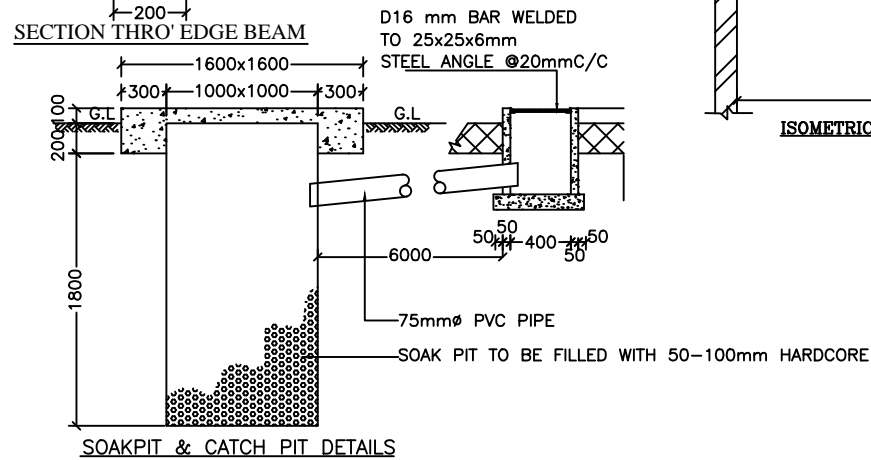
FRONT ELEVATION



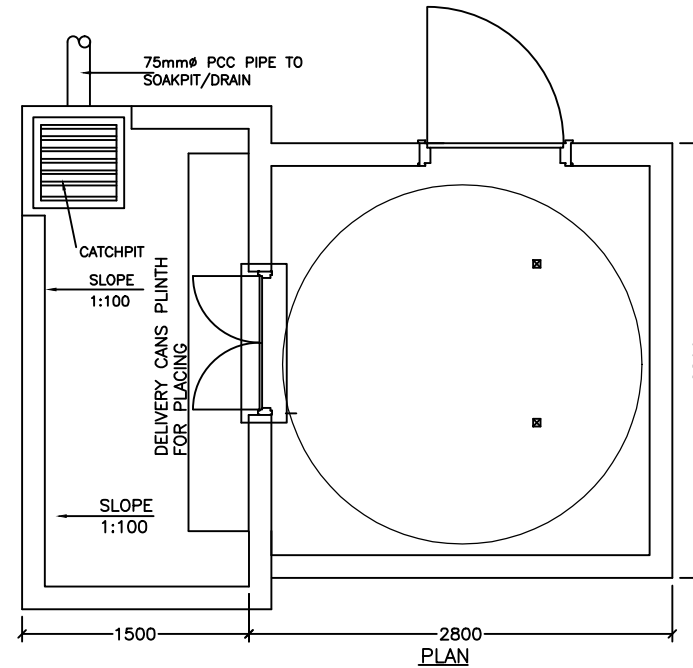
SECTION THRO' MIDDLE BEAM



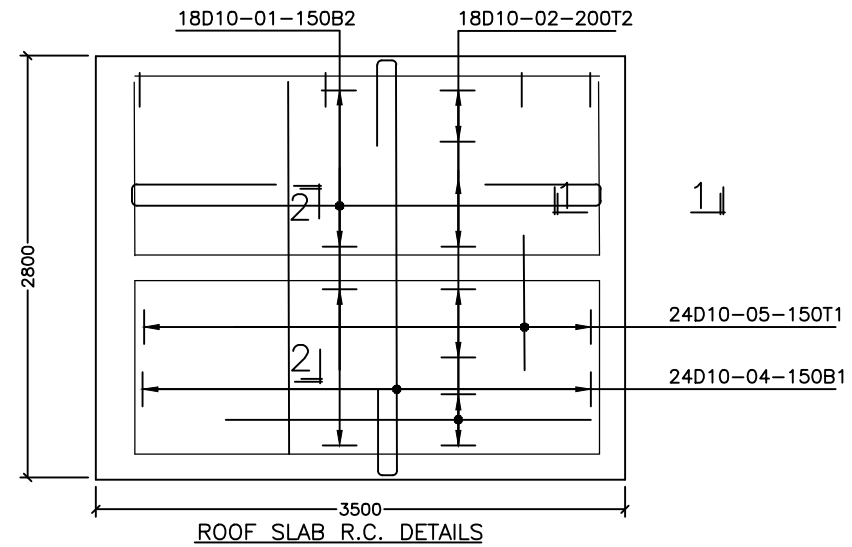
SECTION THRO' EDGE BEAM



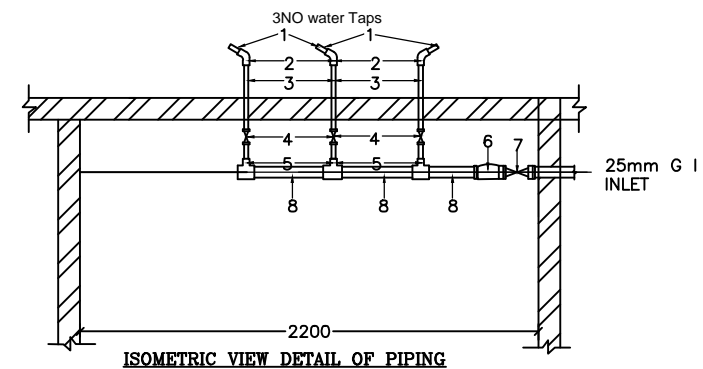
SOAKPIT & CATCH PIT DETAILS



PLAN



ROOF SLAB R.C. DETAILS



ISOMETRIC VIEW DETAIL OF PIPING

ITEM	DESCRIPTION
8	25mm G.I PIPE
7	25mm GATE VALVE
6	25mm WATER METER
5	25 x 20mm G.I REDUCER
4	20mm G.I BALL VALVE
3	20mm G.I PIPE
2	20mm G.I ELBOW
1	20mm G.I-100mm LONG

SCHEDULE OF OF PIPES AND FITTINGS

NOTES

1. Only figured dimensions to be read from the drawing
2. All dimensions are in millimeters
3. Reinforcement Cover:
 - a) Slab 20mm
 - b) Beams and Columns 20mm
 - c) Foundations 30mm
4. Concrete strength for structural concrete members to be class 20/20 (1:2:4)
5. Masonry blocks to be machine cut stones
6. All steel reinforcement must be approved by the Structural Engineer before casting
7. Allowable Ground Bearing Capacity 100kN/m²



CENTRAL RIFT VALLEY WATER WORKS DEVELOPMENT AGENCY

Water Kiosk

Designed by	Kurgat/Ng'ang'a
Drawn by	Kurgat/Ng'ang'a
Checked by	C. murage
Approved by	Eng. S. Oruma